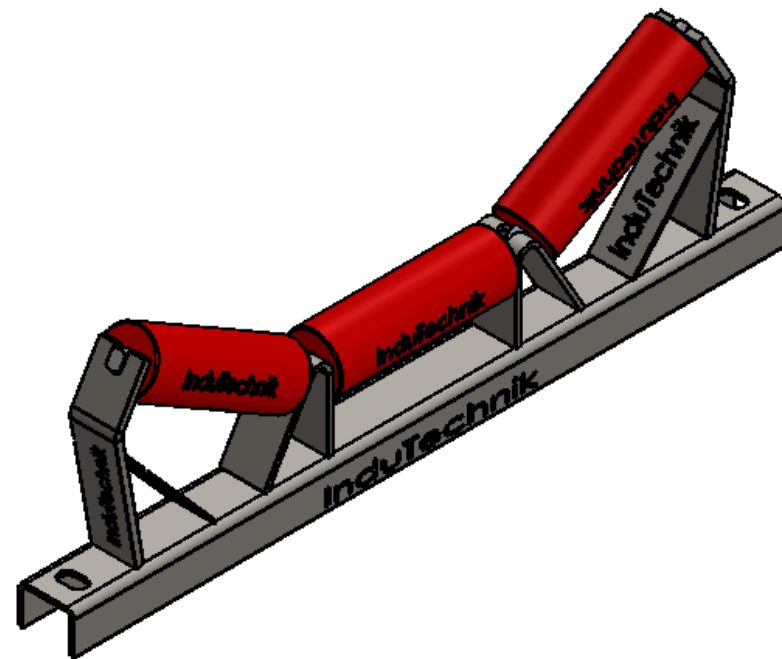


| | |
|------------------|-----------|
| | W |
| Muldungswinkel = | |
| | SW |
| Schlüsselweite = | |



| | Oberfläche |
|---|--------------------------|
| ☒ | Rot grundiert (RAL 3000) |
| ☒ | Feuerverzinkt |
| ☒ | Blank |

| | $\varnothing D$ | h1 |
|---|-----------------|-----|
| ☒ | 63,5 | 75 |
| ☒ | 80 | 75 |
| ☒ | 89 | 75 |
| ☒ | 108 | 85 |
| ☒ | 133 | 100 |

| | h2 U-Profil-Höhe |
|---|--------------------|
| ☒ | U 62 x 45 x 4 kalt |
| ☒ | U 70 x 50 x 4 kalt |
| ☒ | U 80 x 50 x 5 kalt |
| ☒ | U100 x 50 x 5 kalt |
| ☒ | U100 x 50 x 6 warm |
| ☒ | U120 x 55 x 7 warm |

| Revision | SIGNATUR | DATUM |
|------------|----------|------------|
| GEZEICHNET | L.V. | 09.05.2017 |
| | | |
| | | |
| | | |
| | | |
| | | |
| | | |
| | | |
| | | |

Rollenstation



ZEICHNUNGSNR. NR.0500.100

A3

GEWICHT: 12547.00

MASSSTAB:1:5

BLATT 1 VON 1